

Compleo eCLICK Data sheet



eCLICK is the docking station for attaching the eBOXes smart, professional and touch. The eCLICK can be used for wall installation or in ePOLE duo. The installation of the eCLICK must be carried out by a qualified electrician. Subsequent attachment or replacement of an eBOX can be carried out by the user if required.



Wall installation with eCLICK

Highlights

- ✓ Docking station compatible with all eBOX variants
- ✓ Flexible use of eCLICK for wall installation or in ePOLE duo

Certificates



As of: 03/2022
Document Center:



Compleo eCLICK Data sheet

General and electrical data

	eCLICK	ePOLE duo/eCLICKs in ePOLE duo
Charging power	3.7/4.6/7.4/11/13.8/22 kW (16 A, 20 A, 32 A; one* or three-phase)	
Grid input power	eCLICK: rotating current 400 V AC, three-phase, 32 A (22 kW)/20 A (13.8 kW)/16 A (11 kW) or alternating current 230 V AC, one-phase, 32 A (7.4 kW)/20 A (4.6 kW)/16 A (3.7 kW)	
Output power to eBOX	eCLICK: rotating current 400 V AC, three-phase, 32 A (22 kW)/20 A (13.8 kW)/16 A (11 kW) or alternating current 230 V AC, one-phase, 32 A (7.4 kW)/20 A (4.6 kW)/16 A (3.7 kW)	
Operating temperature	-30 °C to +50 °C	
Storage temperature	-30 °C to +80 °C	
Weight	1.1 kg	
Protection class	Protection class I	
eSMARTMETER (MID-compliant)	Optional for eCLICK, MID-compliant (Europe) and CE certified; can be optionally screwed and wired into eCLICK	
Max. wire cross-section	Max. supply line (from above or below) 10 mm ²	Max. supply line (only from below) 10 mm ²
Certifications	CE (tested and confirmed by certified body); UKCA	
Packaging dimensions (W x D x H)	515 mm x 225 mm x 75 mm	

Recommended additional accessories

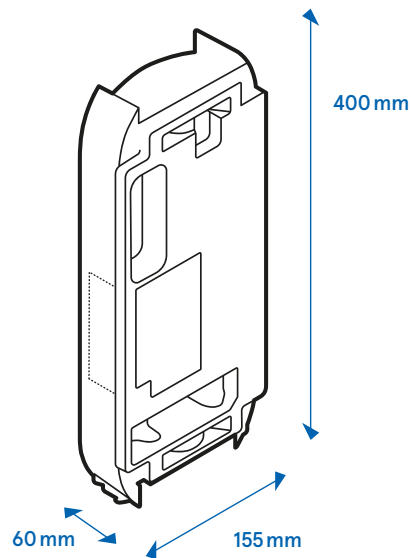
	eCLICK	ePOLE duo/eCLICKs in ePOLE duo
Personal protection to be installed in sub-distribution per charging point	Fault current protection switch type A (RCD type A): 32A connection: ABB F204A-40/0,03, type A, 4-pole (short-time delay, operating voltage: 230/400 V AC) 16A connection: ABB F204A-25/0,03, type A, 4-pole (short-time delay, operating voltage: 230/400 V AC)	
Short-circuit/overload protection to be installed in sub-distribution per charging point	Automatic cut-out: 32A connection: ABB S203-NA K40A (rated switching capacity: 6,000 A) 16A connection: ABB S203-NA K20A (rated switching capacity: 6,000 A)	

* 32 A one-phase is not permitted in all EU countries.
Please check the country-specific conditions.

Protection devices from other manufacturers with properties identical to those described here can also be used.

Compleo eCLICK Data sheet

Dimensions



eCLICK with contact protection
(once installation is complete,
an eBOX can be attached)

Installation options

eCLICK can also be used as an installation basis for subsequent eBOX attachment without an electrician.



Wall mounting
with eCLICK



ePOLE



ePOLE side-by-side



ePOLE back-to-back



ePOLE duo

Compleo Charging Solutions AG

Oberste-Wilms-Straße 15a
D-44309 Dortmund | Germany
servicedesk@compleo-cs.com
compleo-cs.com

UK sales partner

Compleo Charging Solutions UK Limited
6th Floor | 60 Gracechurch Street
London | EC3V 0HR | Great Britain